

Yokes, Bearing & Seal

S 63-79 Side Yoke	Specify U-Bolt or Threaded Style	
U-Bolt Style	2 reqd	5545340 129.50
Threaded Style	Repro 2 reqd	5545344 129.50
Threaded Style	NOS 2 reqd	5545342 250.00
Side Yoke Snap Ring	2 reqd	5545316 2.50
T 63-79 Side Outer Brg	Repro 2 reqd	5545356 14.00
	Delco 2 reqd	5545345 31.50
U 63-79 Bearing Oil Seal	Repro 2 reqd	5545354 10.00
	Delco 2 reqd	5545346 16.50
V 63-79 Side Inner Brg	Repro 2 reqd	5545357 27.00
	Delco 2 reqd	5545348 44.50
V 80-82 Side Bearing	Repro 2 reqd	5545355 16.00
W 68-79 Front Yoke	NOS	5545305 125.00
X 63-79 Pinion Front Bearing	Repro	5545351 28.50
	Delco	5545308 48.50
Y L64-79 Pinion Gear Seal	Repro	5545352 9.50
	Delco	5545312 17.35
Y 63-E64 Pinion Gear Seal	Delco	5545310 30.00
Z 63-79 Pinion Rear Bearing	Repro	5545353 29.50
	Delco	5545315 49.50

63-79 Differential Rebuild Kit includes 2 inner & 2 outer side yoke bearing, front and rear pinion bearings, plus 2 side yoke seals and 1 pinion seal. **Repro** 554530 119.00

Differential Mounting

A 63-79 Frame Cross Member	O/S.	5500200	389.00
B 63-79 Cushion	2 reqd NOS	5500201	195.00
	Repro	5500205	64.95
80-82 Frame side Cushion	2 reqd	5500203	43.75
C 63-79 Cushion 4 Piece Mount Kit		5500204	3.00
D 63-79 Diff to Cross Member 8 Piece Mounting Kit with 4 *	Grade 300 bolts & lk washers.	5500202	4.50
E 63-79 Upper Small Cushion	Repro	5500263	10.00
	NOS	5500210	13.95
E 80-82 Upper Cushion	NOS	5500212	0.00
F 63-82 Large Lower Cushion	Repro	5500264	11.00
	NOS	5500211	14.00
G 63-79 Large & Small Mounting Plates for Differential Cushions	Set of 2. Does 1 car.	5500214	3.00
H 63-79 Differential Cushion 3 Piece Mounting Kit With *	Grade 300 bolt with nut & lock washer. Does 1 car.	5500215	2.95

Differential to Front Bracket Mounting Kits:
NOS Dog point bolts & special GM castle nuts too

I 63 Diff Front Bracket 10 Piece Mounting Kit	with 3 * Grade 300 bolts, 1 castle nut, 3 lock washers, 2 flat washers & 1 cotter pin. Does 1 car.	5500220	18.50
J 64-67 & 68 Automatic Diff Bracket 6 Piece Mounting Kit	With 2 * Grade 300 bolts with 2 castle nuts & 2 cotter pins. Does 1 car. NOS	5500222	27.50
	Above 6 Piece Mtg Kit Repro	5500208	19.00
J 68 Standard & 69-79 Diff Bracket 6 Piece Mounting Kit	With 2 * Grade 300 bolts with 2 castle nuts & 2 cotter pins. Does 1 car. NOS	5500223	30.00
	Above 6 Piece Mtg Kit Repro	5500209	20.50

Differential Housing

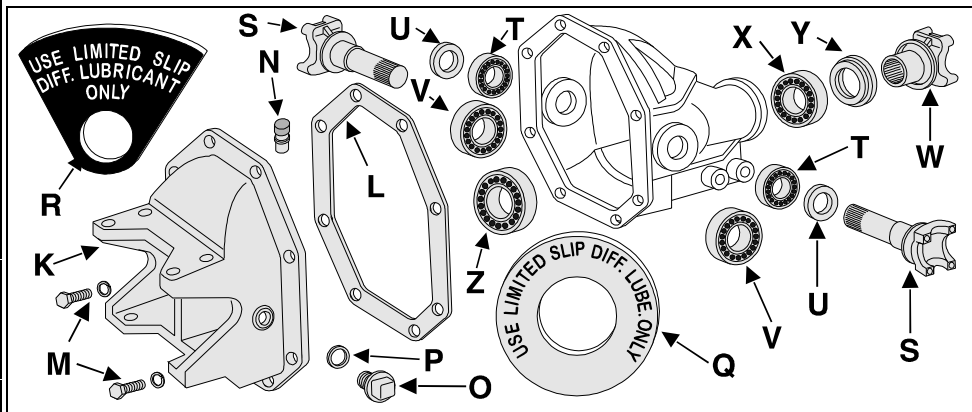
K Rear Covers	Note the leaf spring mounting bolts size	
63-77 uses 9/16" diameter bolts		5500226 103.50
78-79 uses 7/16" diameter bolts		5500227 125.00
L 63-79 Cover Gasket	die cut	5500233 4.00
L 80-82 Cover Gasket	die cut	5500234 8.00
M 63-79 Rear Cover 16 Piece Mounting Kit with 8 *	Grade 300 bolts & 8 lock washers.	5500236 7.50
N 63-79 Differential Vent		5500238 5.95

Filler Plug, Gasket, Tag

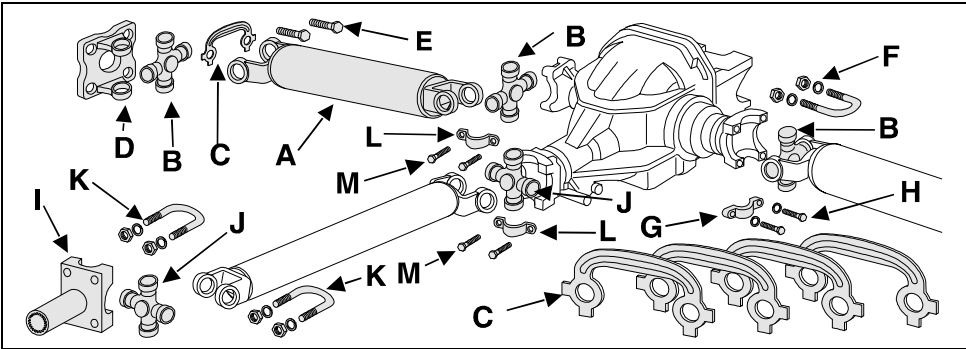
O 63-64 Diff Filler Plug	NOS	7503123 14.50
O 65-79 Diff Filler Plug	NOS	7503129 17.50
P 63-79 Filler Plug Gasket		7503131 2.00
Q 63-64 Metal Posi Tag		8999280 9.50
R 65-79 Red Plastic Posi Tag		8999282 10.25

Posi Fluid & Additive

GM Posi Fluid	23 oz. 3 reqd	5500260 15.75
GM Positraction Additive	Enhances lubrication of the posi fluid. 4 oz. 2 reqd	5500262 9.75



Halfshaft and Driveshaft



Trans Yoke

I Trans Rear Yoke		
63 BW & 64 Automatic Rear Yoke		5400296 189.00
63-70 Muncie, or 65-67 Automatic Rear Yoke		5400280 149.50
68-77 T-400 Automatic or 71-81 4 Speed Rear Yoke	NOS	5400281 300.00
76-79 T-350 Automatic, or 78-79 4 Speed M20 Rear Yoke		5400282 Disc
80-82 Automatic Rear Yoke		5400283 Disc

Drive Shaft

J Drive Shaft U-Joints with Grease Fittings	2 reqd	
55-67 All Models or 68-70 except T-400 or 80-82 Automatic	2 reqd	5400272 16.00
68-70 with T-400 or 71-79 All Models or 80-81 with 4 speed	2 reqd	5400273 17.50

OEM Drive Shaft U-Joint Mounts **check** your model for Round U-bolt style or Flat Strap style - before ordering.

K 63-67 Drive Shaft U-Joint 5 Piece Mounting Kit	OEM	
U-bolt, 2 nuts & 2 lock wshrs.	4 reqd	5400274 7.75
L 68-80 Drive Shaft U-Joint Strap	4 reqd	5400267 3.75
M 68-80 Drive Shaft U-Joint Strap 8 Piece Mounting Kit	Does 1 car. OEM	5400268 13.75

Half Shaft

A 63-79 Half Shaft	Repro 2 reqd	5400290 175.00
	OEM 2 reqd	5400254 289.00
B Half Shaft U-Joint	4 reqd	5400258 24.90
C French Lock 4 Piece Set	Repro	5400295 7.50
	OEM	5400262 9.50
D 63-79 U-Joint Flange	Repro 2 reqd	5400289 56.00
	OEM 2 reqd	5400250 148.00

E 63-79 Flange 4 Piece Mounting Bolt Kit with 4 *	Grade 300 bolts. 2 reqd	5400252 6.95
----------------------------------------------------------	-------------------------	--------------

Half Shaft to Differential Mounting Kits

F 63-79 U-Bolt Kit except Big Block	with 1 U-bolt, 2 nuts and 2 lock washers. 4 reqd	5400264 9.95
G 65-75 U-Joint Strap with Big Block or Heavy Duty	4 reqd	
NOS	5400265 45.00	Repro 5400263 33.95
H 65-74 Big Block U-Joint Strap Mount 16 Piece Kit with 8 *	Grade 300 bolts & 8 locks. Does 1 car.	5400266 6.00