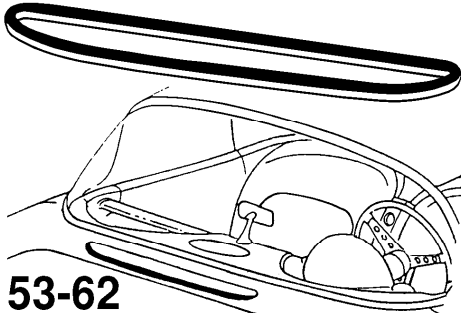


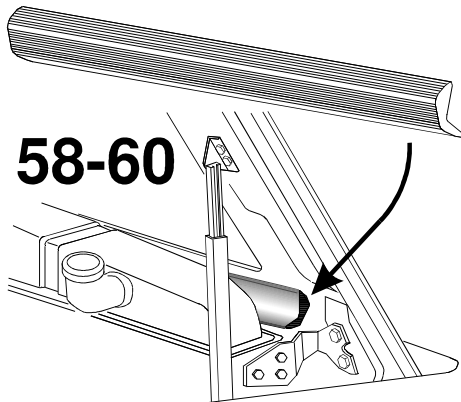
52-62 Cowl Vent Seal



53-62

Please do not confuse our part with replacements that are made from 2 straight strips of sponge that are then glued together & rolled into a ball. Impossible to unfold and glue into place, they do not fit. Our part is **Die Cut in One Piece Just Like the Factory Part**, for a Perfect Fit in the cowl vent recess. 8017105 8.85

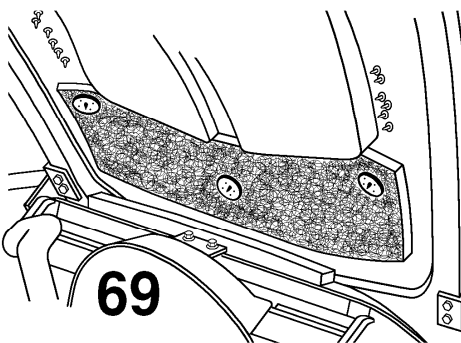
58-60 Hood Air Dam



58-60

Glues to the underside of the hood where it prevents air flow over the top of the radiator when the hood is closed. Our part has authentic details: with **11 Raised Ribs** on one side, and **9 Raised Ribs** on the other surface. A fabulous reproduction of the first air dam ever installed on a Corvette. See Mr. Noland Adams' "Corvette Restoration & Technical Guide" page 246 for documentation of this authentic part. The factory part number for this "seal" was 3740299. 1274589 25.00

69 Hood Mat

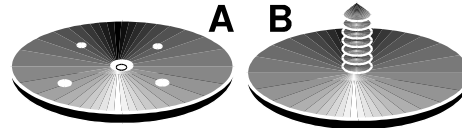


69

This mat is only found on some 69 models & appears to have been crudely cut from a larger mat. The factory blueprint shows a full mat from front to rear, however it appears the assembly line merely cut off the front 1/3 by hand & only used that part. One half inch thick **Blond Expanded Fiberglass Matting With A Denser Black Exposed Surface**. All Black or Dark Gray mats are simply bogus. See Mr. M.F. Dobbins' "FactBook of The 1968-1972 Stingray" for photographic verification. **Ours does not look like that Dark Green Trunk Liner materials seen in foreign car trunks.** 69 Hood Mat Only 8017069 24.50

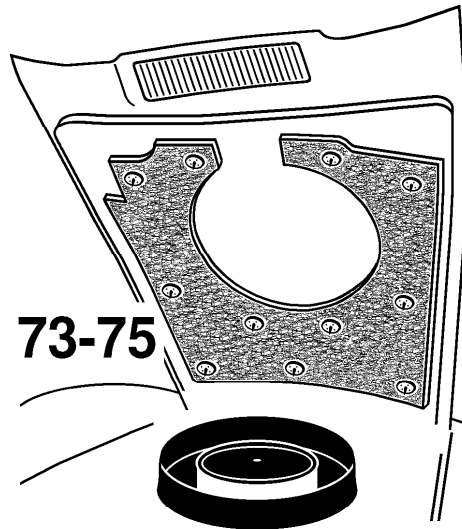
Hood Mat Retainers

69-79 Hood Mat Retainers
Use 3 of each on 69; Use 11 of each on 73-75;
Use 8 of each on 76-77; Use 6 of each on 78-79
A Self Push-On Mounting Disc 8017130 3.00
B Hood Mat Stud Glue to Hood; Plastic Replacement 8017133 1.75



73-75 Hood Insulator Mat

Authentic "U" shape measuring 34" x 36", with a round cut out in the center for the air cleaner to hood seal. One half inch thick **Blond Expanded Fiberglass Matting With A Denser Black Exposed Surface Contoured To The Underside Of The Hood**. All Black, Dark Gray or Green Flat mats are simply bogus & do not sit flush against the hood. UPS Oversize = 0.5. 8017125 99.95



73-75

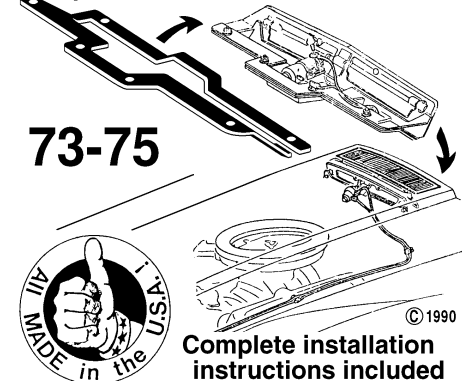
76-79 Hood Mat

76-79 Hood Insulator Mat 0.5
Rectangular shape measuring 24" x 35". This part is a GM Replacement, UPS Oversize = 0.5. 8017126 109.80

73-75 Hood Duct Seal

73-75 Carburetor Air Control Duct Seal
This one fits! The factory's were a poor design that never fit properly. Ours is die cut with pressure sensitive adhesive, as was factory. Supplied with detailed step by step instructions. 8017735 22.50

**THIS ONE FITS PERFECTLY !
DIE CUT BLACK SPONGE WITH P.S.A.
pressure sensitive adhesive**



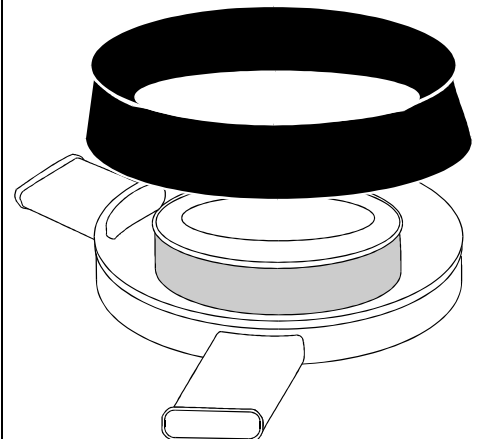
73-75



Complete installation instructions included ©1990

73-75 Air Cleaner to Hood Seal

73-75 Air Cleaner to Hood Seal
Authentic Black sponge rubber with a skin on the surface and the internal air cell and this one FITS! Not like the oversize replacement part that is too large to fit on the air cleaner. 3402200 54.75

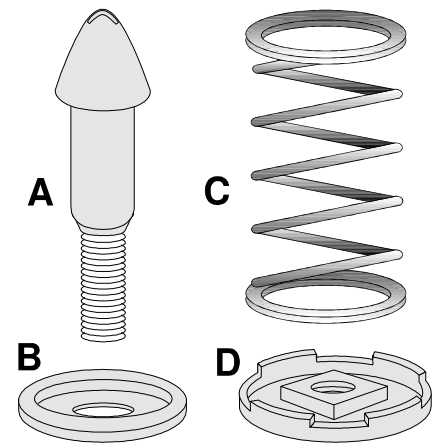


73-75 Air Induction Parts

Hood Duct Grill NOS	8017736	80.00
Grill Mounting 6 Piece Nut Set	8017734	2.95
Duct Flapper Door NOS	8017737	45.00
Door Rubber Bumpers Pair	8017733	5.70
Door Pivot Mounting Clips 2 reqd.	8017732	3.55
Hood Door Frame NOS	8017738	85.00
Hood Door Wiring Harness	2515296	18.00
Hood Door Wire Harness Mounting Clip 4 Piece Set mounts the harness to the RH underside lip of the hood. Does 1 car	8017731	6.50

Male Hood Pin Bolt Assembly

53-57 Male Hood Lock Pin Assembly Pair mount on the hood	8015154	75.00
53-57 Hood Pop Up Spring Assemblies Pair mount on the radiator support	8015155	75.00
58-59 Male Hood Lock Pin Assembly mount on the hood, 2 reqd.	8015156	60.00
60-62 Male Hood Lock Pin Assembly mount on the hood, 2 reqd.	8015157	60.00
60-67 Hood Pin Bolt Assembly Includes male pin bolt (not a ground-off bogus bolt), plus pop up spring, spring retainer & spring seat with weld nut. Includes A, B, C, D	8015172	22.00



60-67 Hood Pin Bolt Parts

2 of each piece required on all models.		
A Male Hood Pin Bolt Only	8015160	8.50
B Bolt Spring Retainer	8015161	3.50
C Hood Spring	8080117	7.00
D Bolt Seat with Weld Nut	8015162	7.00